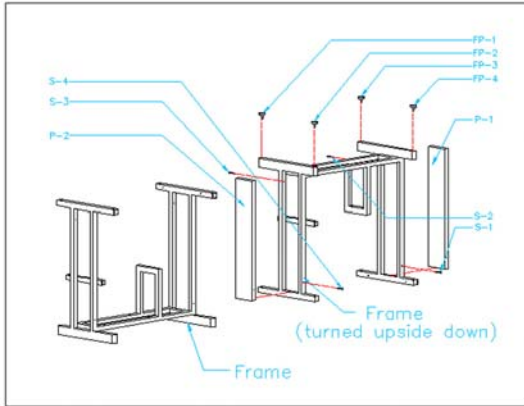


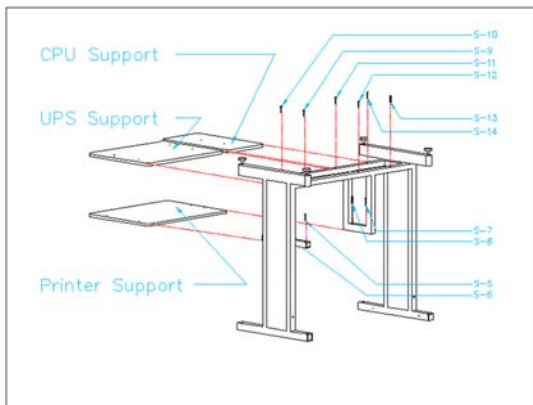
# Assembly Instructions for the TMG CompuTable

## Step 1



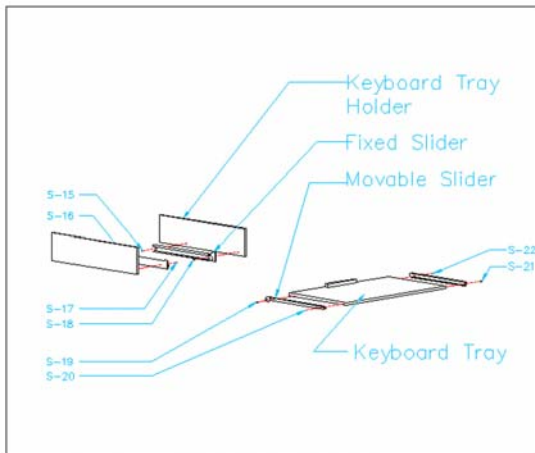
- a. Turn the frame upside down and screw in footpads FP1, FP2, FP3 and FP4
- b. Hold panel P1 in place and fasten with screws S1 and S2
- c. Do the same with panel P2 and with screws S3 and S4

## Step 2



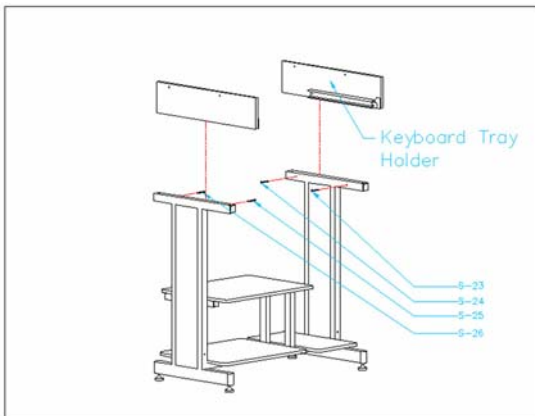
- d. Fasten the Printer Support in place with screws S5 and S6
- e. Fasten the UPS Support in place with screws S7 and S8
- f. Fasten the CPU Support in place with screws S9 and S10

### Step 3



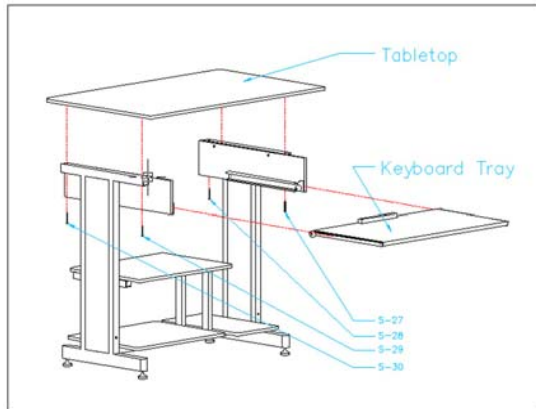
- g.** Fasten the Fixed Sliders in place with screws S15, S16, S17 and S18
- h.** Fasten the Movable Sliders in place with screws S19, S20, S21 and S22

### Step 4



- i.** Turn the Step-2 Assembly to the upright position
- j.** Fasten the Keyboard Tray Holders in place with screws S23, S24, S25 and S26

## Step 5



k. Fasten the Tabletop in position with screws S27, S28, S29 and S30

l. Insert the Keyboard Tray in between the Keyboard Tray holders

## Step 6



m. The table is now fully assembled.